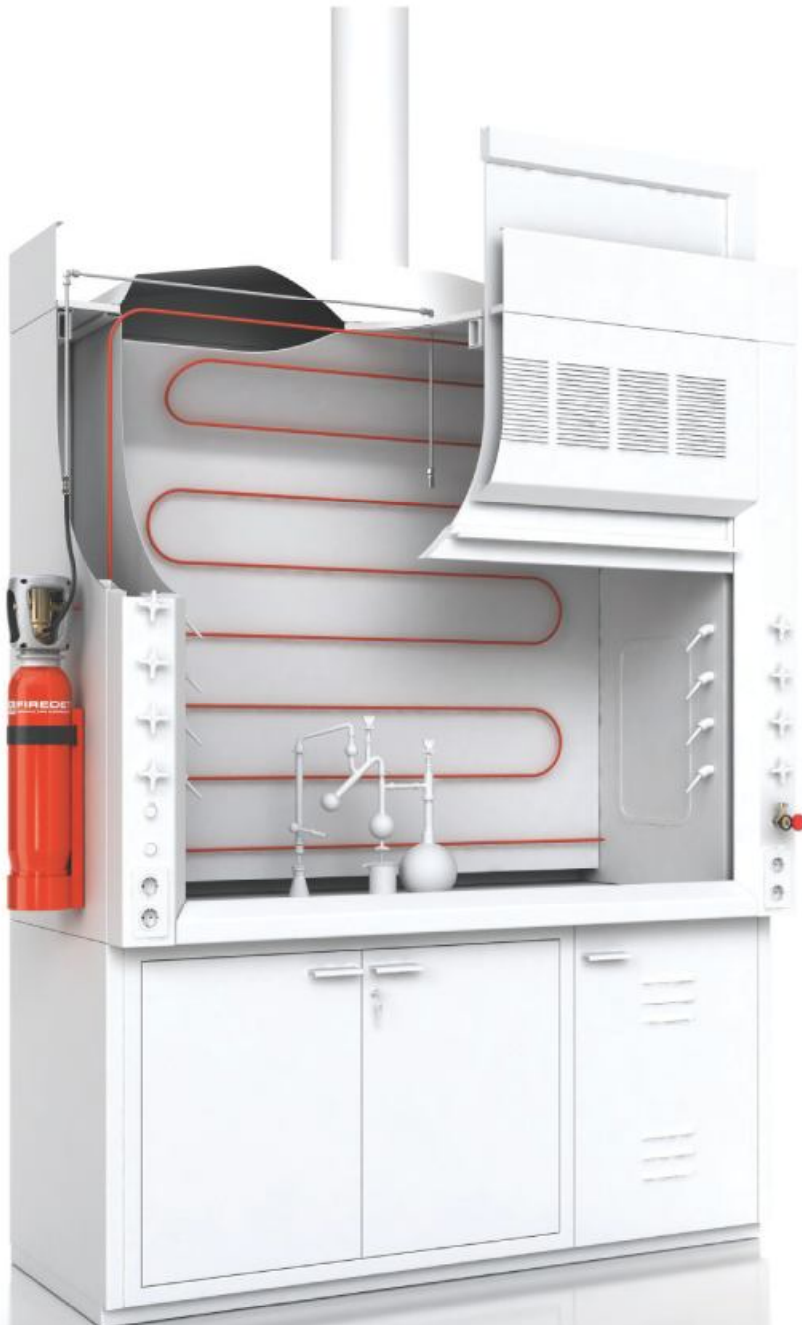




ROTAREX
FIRETEC



COMPLETE SYSTEMS FOR FUME CABINETS

A COMPLETE DETECTION & SUPPRESSION SYSTEM PRE-ENGINEERED FOR FUME CABINETS

- ★ Easy / Flexible installation
- ★ Quick & Effective suppression
- ★ Highly Dependable: no electricity or moving parts
- ★ Highly economical



EVERYTHING YOU NEED TOGETHER IN ONE BOX



REDUCES EVEN THE MOST CRITICAL FUME HOOD FIRE RISKS:

- Flammable or reactive chemicals near open flame
- Technician injury
- Damage to equipment and peripheral lab areas
- Work stoppage
- Extensive cleanup if sprinkler system actuates

THE FIREDETEC® DIFFERENCE

Rotarex FireDETEC® systems use a proprietary continuous linear sensor tube that reliably detects and actuates release of the extinguishing agent using pneumatic technology. It is more flexible, space efficient and cost effective versus alternative mechanical or electronic systems.



1. Quick & Easy installation directly inside fume cabinets:

The flexible sensor tubing is easily installed directly on the cabinet wall and inside the extractor hood - directly above working areas.

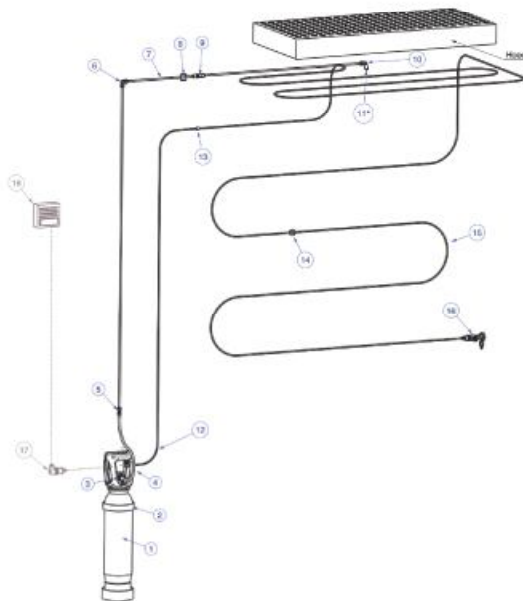
When in service, the tubing is pressurized with dry nitrogen to 16 bar. The dynamics of pressurization make the tubing more reactive to heat.

2. Early fire detection:

If a flame-up occurs, the heat of the fire causes the pressurized sensor tube to burst at the hottest spot (approx. 110°C)

3. Instant suppression:

The sudden tube depressurization actuates the special pressure differential valve and instantly floods the entire cabinet area with CO₂ extinguishing agent. The fire is quickly suppressed just moments after it began... minimizing damage and downtime.



Pos.	Qty.	Description
1	1	IHP cylinder / valve assembly (not filled)
2	1	Cylinder bracket
3	1	Gasket
4	1	Rubber hose
5	1	Tube fitting - straight
6	1	Tube fitting - Elbow
7	1	Cross panel-fitting
8	6	Pipe bracket (Ø8mm)
9	3	Stainless steel tubing (1m)
10	1	Tube fitting - Elbow - G¼"
11	1	Nozzle
12	1	Protection spring top
13	1	Cross panel-fitting
14	20	Self-adhesive clips for tube attachment
15	1	FireDETEC Tube black (10m)
16	1	Manual release device

OPTIONAL

17	1	Pressure switch
18	1	Alarm box

SPECIFICATIONS

Product code	CO ₂		CO ₂ with DIMES	
	B07504001	B07504005	B07505001	B07505005
Cylinder kit size	5 Kgs.	10 Kgs.	5 Kgs.	10 Kgs.
Cylinder volume	6.7 liters	13.4 liters	6.7 liters	13.4 liters
Cylinder approval	CE	CE	CE	CE
Weight	11 Kgs.	23 Kgs.	11 Kgs.	19 Kgs.

WORLDWIDE HEADQUARTERS

24, rue de Diekirch, BP 19
L-7505 Lintgen
Luxembourg
Tel.: +352 32 78 32-1
Fax: +352 32 78 32-854
E-mail: info@firetec.rotarex.com

OTHER AVAILABLE PRE-ENGINEERED SYSTEMS:

ELECTRICAL CABINETS



CNC MACHINES



COMMERCIAL KITCHENS



VEHICLE ENGINES

